

FG300 Flexible Delineator



The highly visible FG300 Delineator range features a unique cloverleaf design that ensures its return to an upright position following impact.

Key Features

- **Survives Multiple Impacts**
100km/h
- **Orange, Black or White**
- **Quick Installation**
- **Passively Safe**
EN12767
- **Surface Mounted**
Four Bolts
- **Highly Visible**
- **Low Maintenance**
- **Fast and Easy to install**

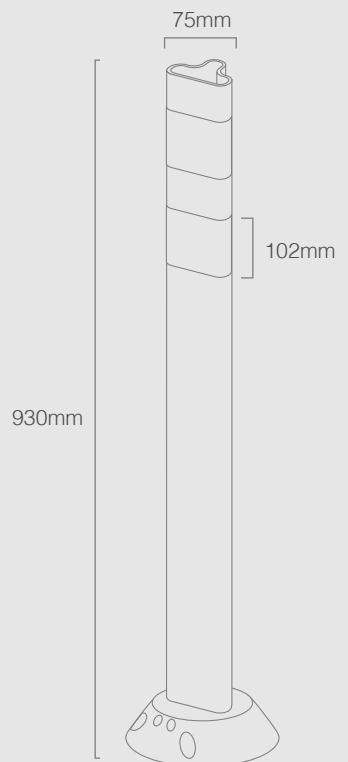
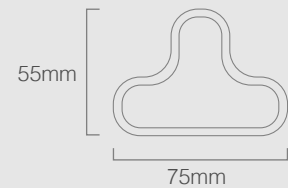
Details

Designed to complement our existing range of passively safe products, the FG300 is UV stable and highly visible. Coupled with its natural resistance to fuel and oil this makes it the ideal product for use in areas with high traffic volumes.

Tested to withstand impacts of up to 100kph/60mph the FG300 can be surface mounted or installed in conjunction with our unique kerb system, offering a fast, effective installation to any road surface, whether for temporary or permanent use. They are available in Orange, Black or White. Other colours available on request. FG300 Delineators are certified compliant to EN12767.

Colour Options

Manufactured from self-coloured polyurethane, available in black, orange or white.



Overall Height	930mm
Width	75mm
Reflective Strip Height	102mm
Fixing	Four Bolts