

# Junction Definition Posts



**Passively Safe Flexible Junction Definition posts, perfect for delineating junctions in Rural Areas and highly visible.**

**Made from Recycled materials and 100% Recycleable (sample)**

## Characteristics

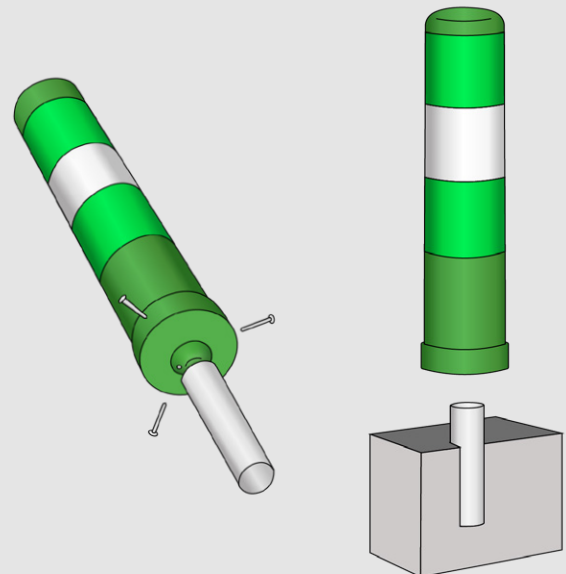
- 200mm Diameter
- 1000mm Tall
- Made from UV Stabilised LDPE - Recycleable
- Colour – Green
- Two highly visible Reflective Hoops
- White Reflective - Class RA2 (EN12899)

## Details

Junction Definition Posts from PWS are Plastic Bollards designed to delineate Junctions in rural areas. Made from LDPE (LowDensity Polyethylene), Junction Definition Posts (JDP's) are 200mm Diameter x1000mm high are feature white and green reflective hoops in Class RA2 (High Intensity Prismatic) reflective Material.

The roto-moulded design is designed to shear off at the base if impacted by a vehicle. Plastic Shear pegs which hold the JDP to the fixing base can easily be replaced and the bollard can be reinstalled after a vehicle impact.

## Fixing Specifications



<b>Fixing</b>	Plastic Shear peg fixing
<b>Material</b>	UV Stabilised LDPE
<b>Height</b>	1000mm
<b>Width/Diam.</b>	200 mm